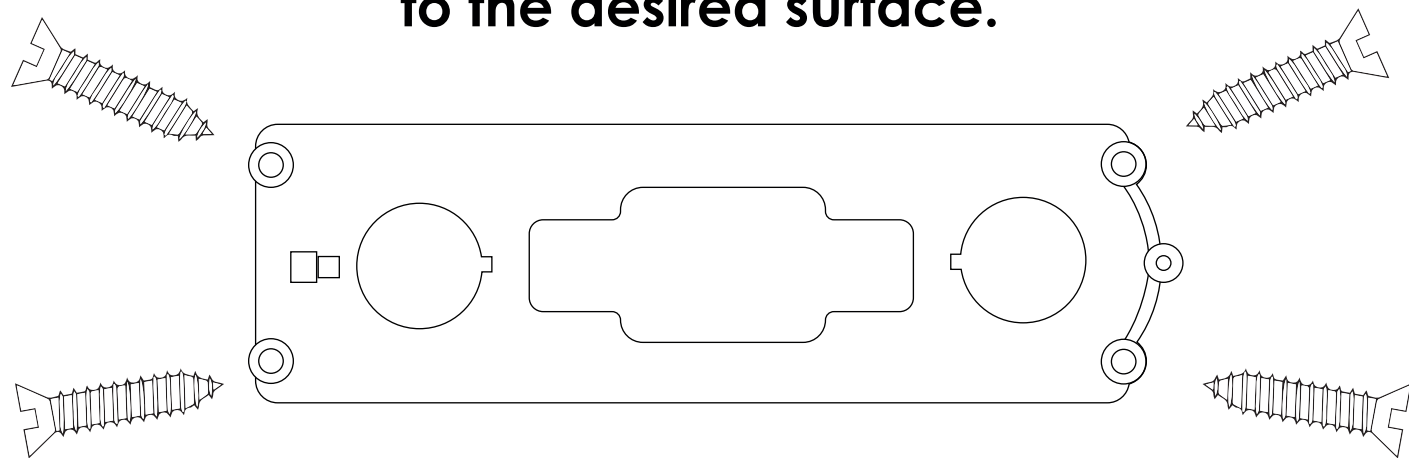


Installation of pool lights

White surface frames

1

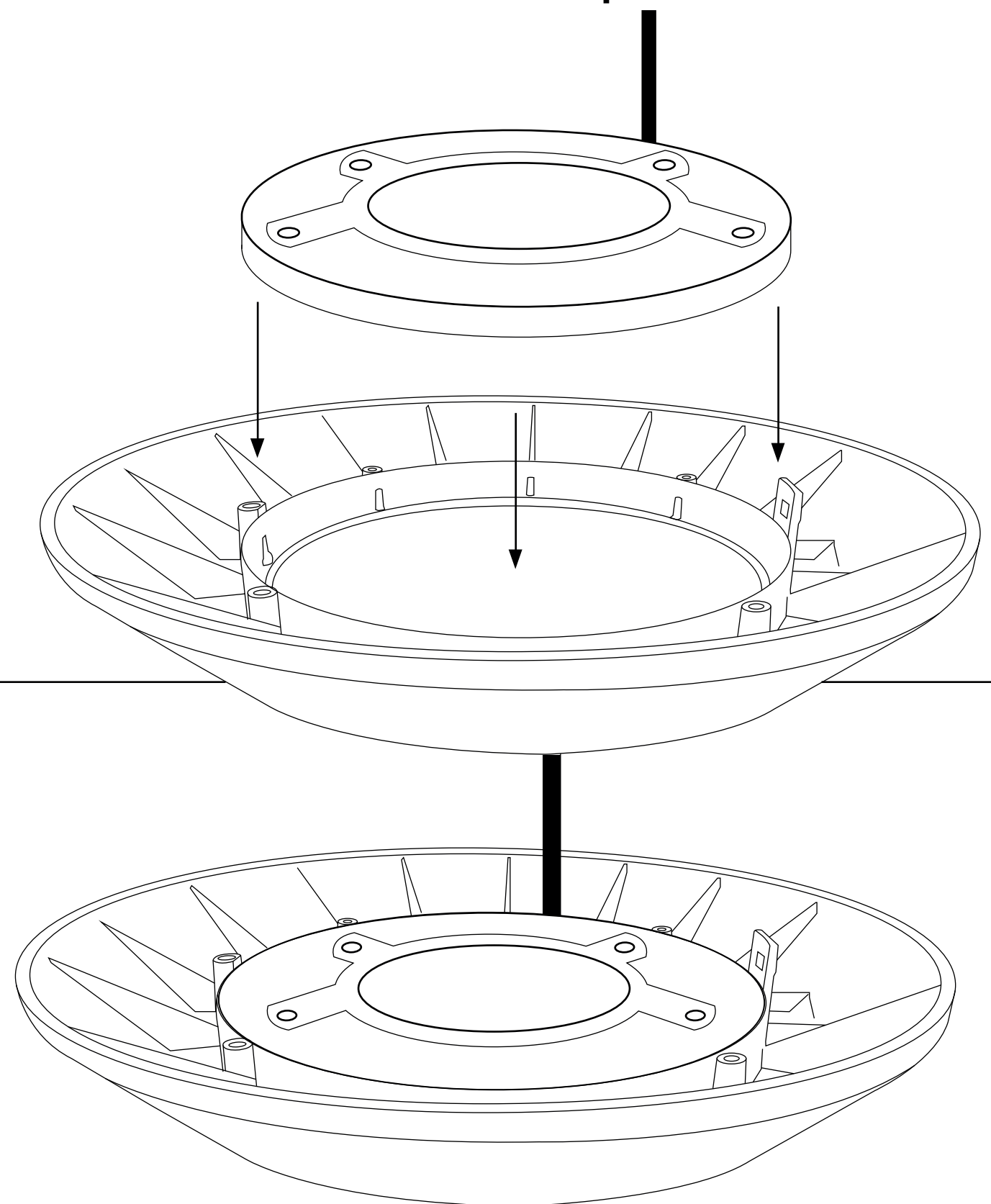
Firmly screw the white support plate to the desired surface.



using the included plugs and screws.

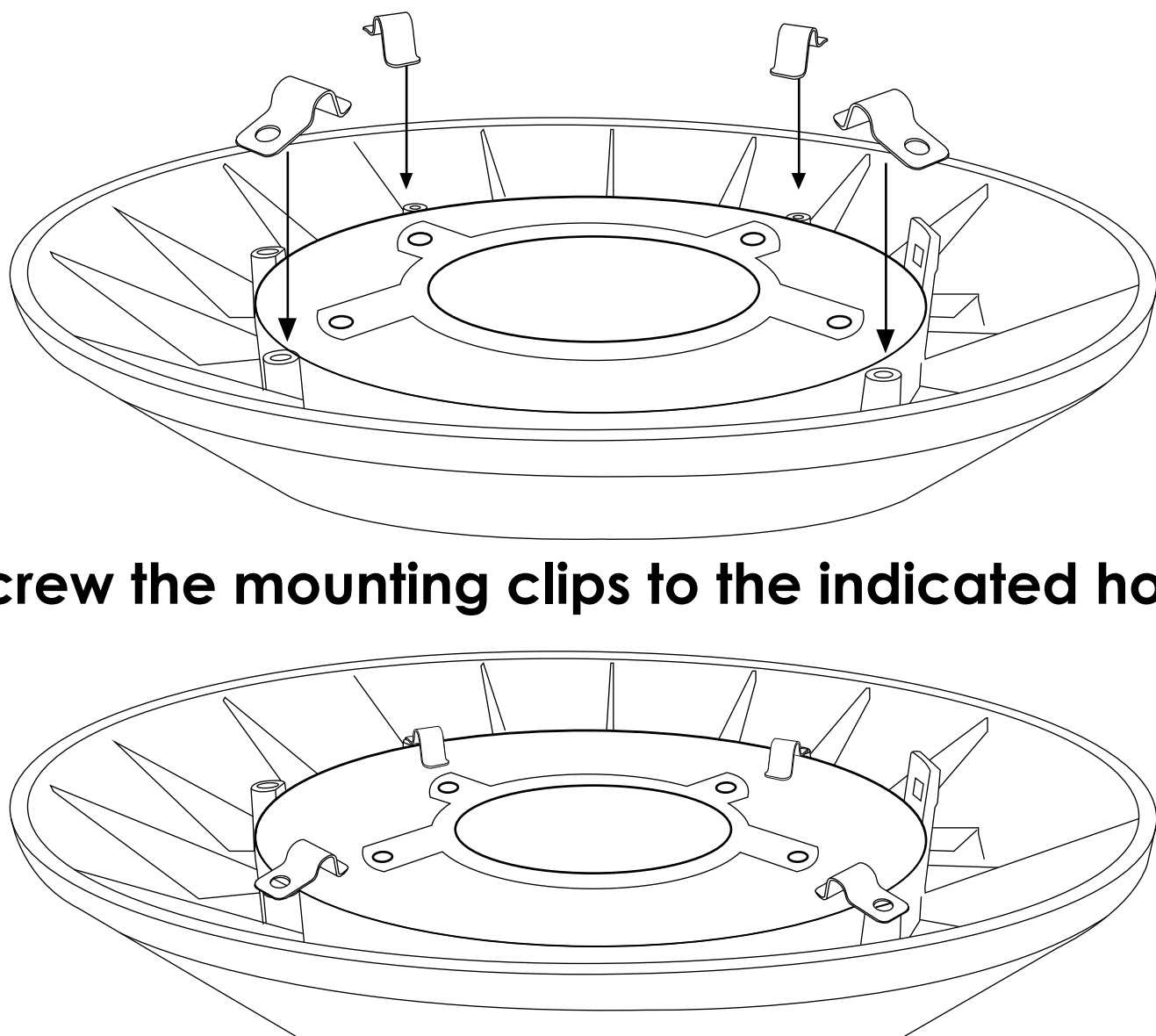
2

Position the rear face of the frame and support the focus until it stops.



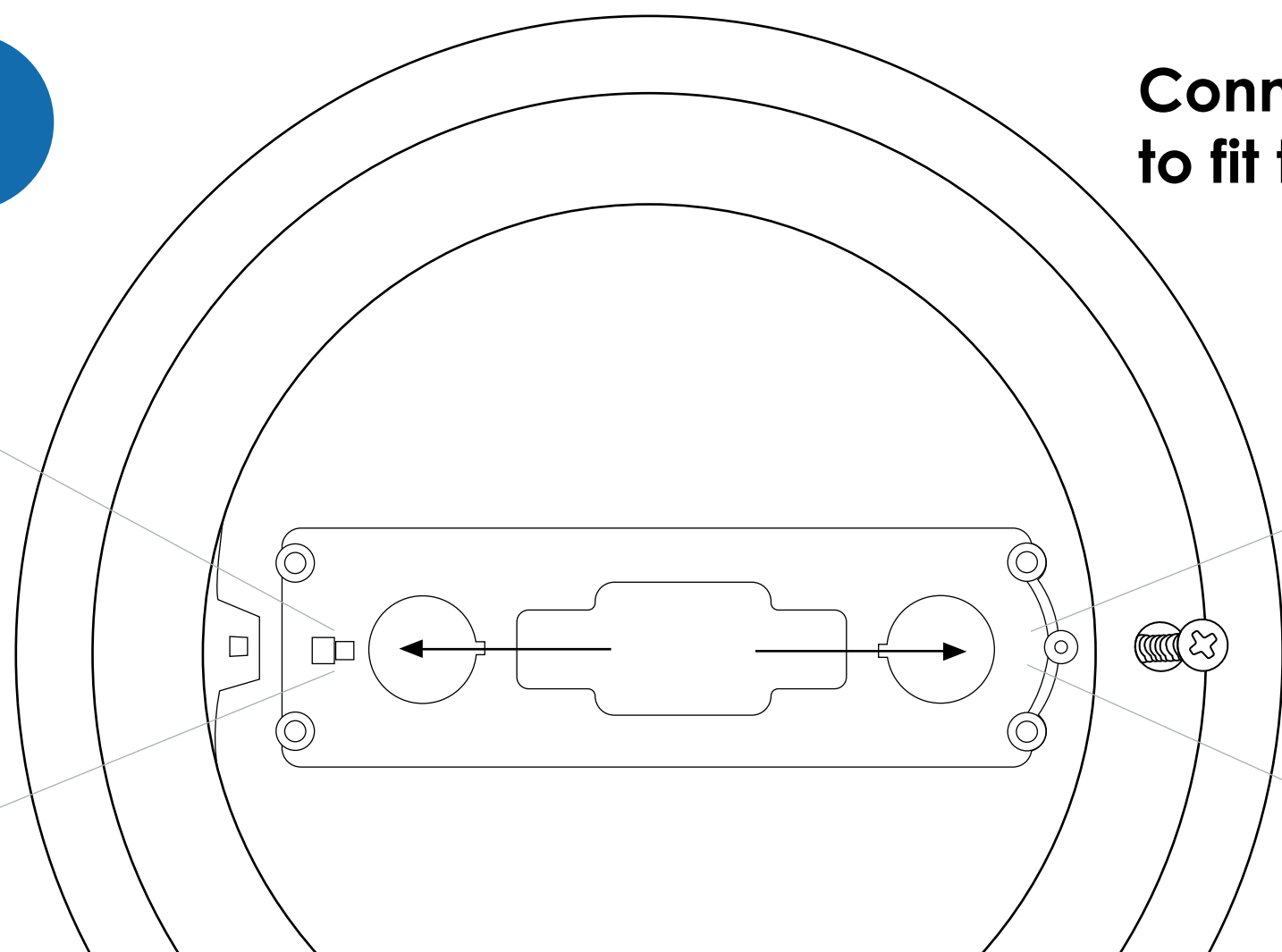
3

Screw the mounting clips to the indicated holes.



4

Connect the marked parts of the frame to fit the surface support.



5

Finally, screw the hole up to its base and place the stoppers.

