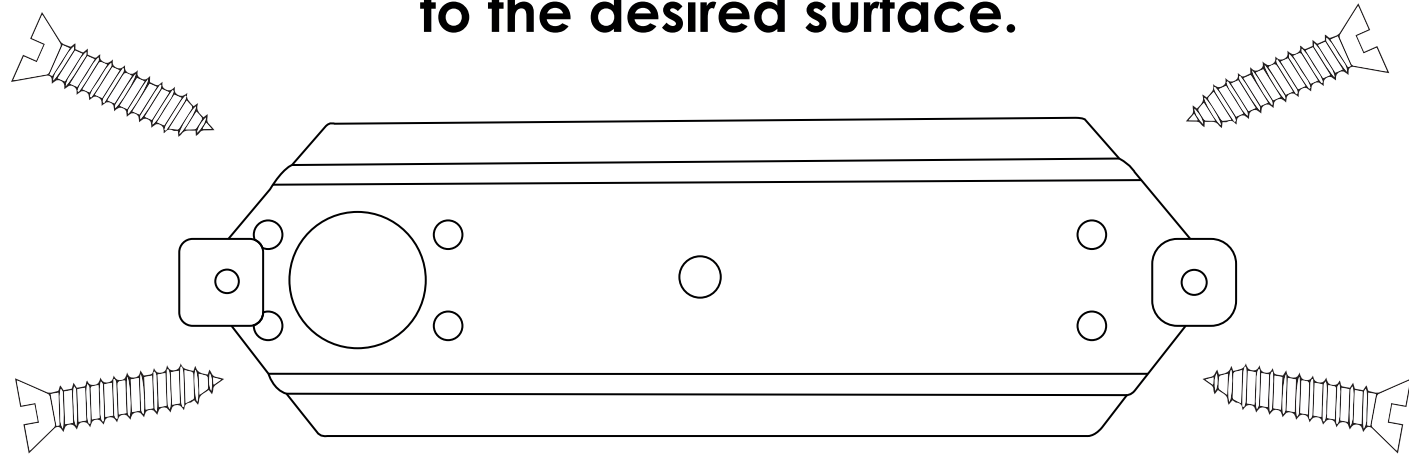


# Installation of pool lights

## Crome surface frames

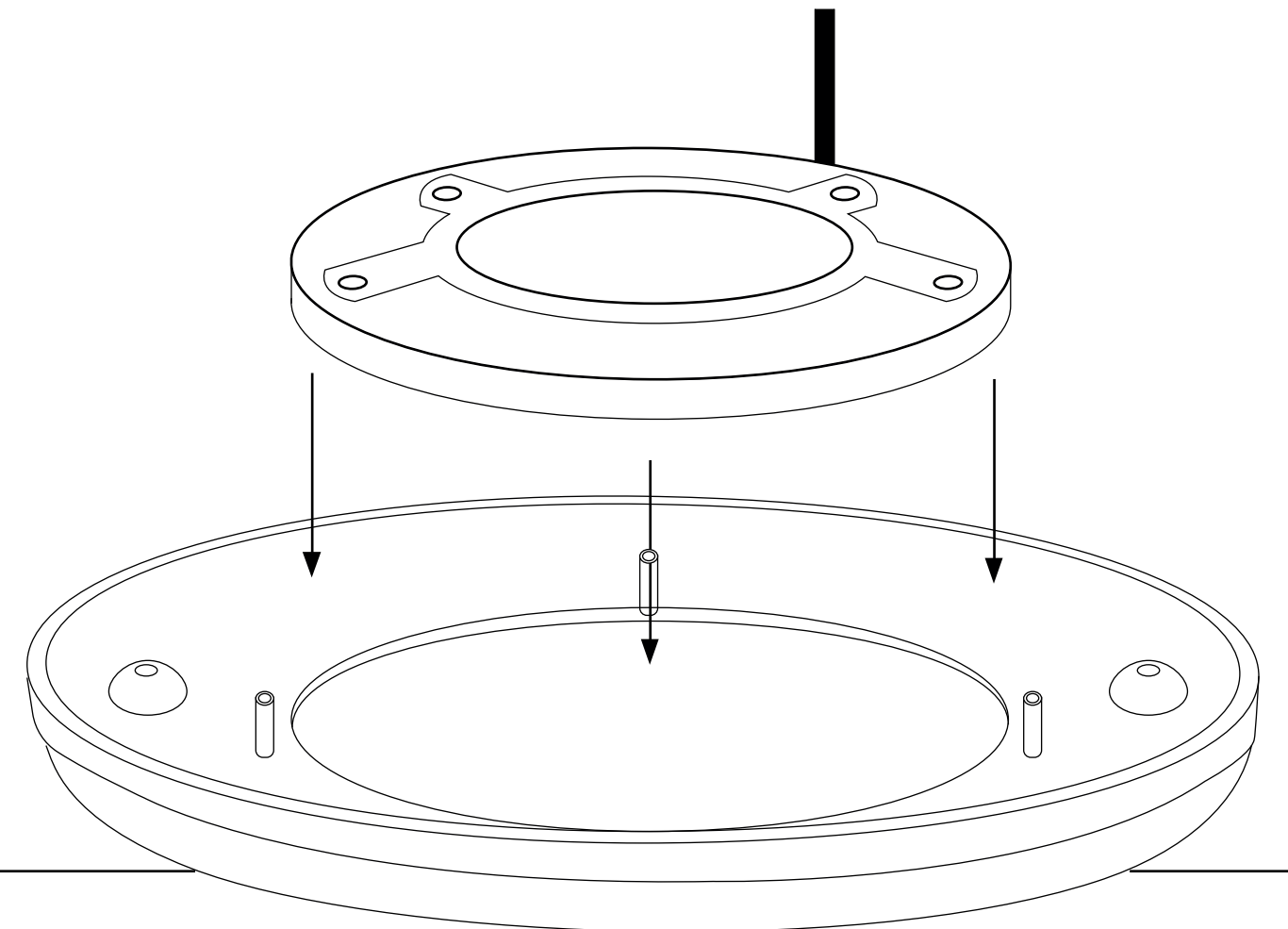
1

Firmly screw the chrome-plated support plate to the desired surface.



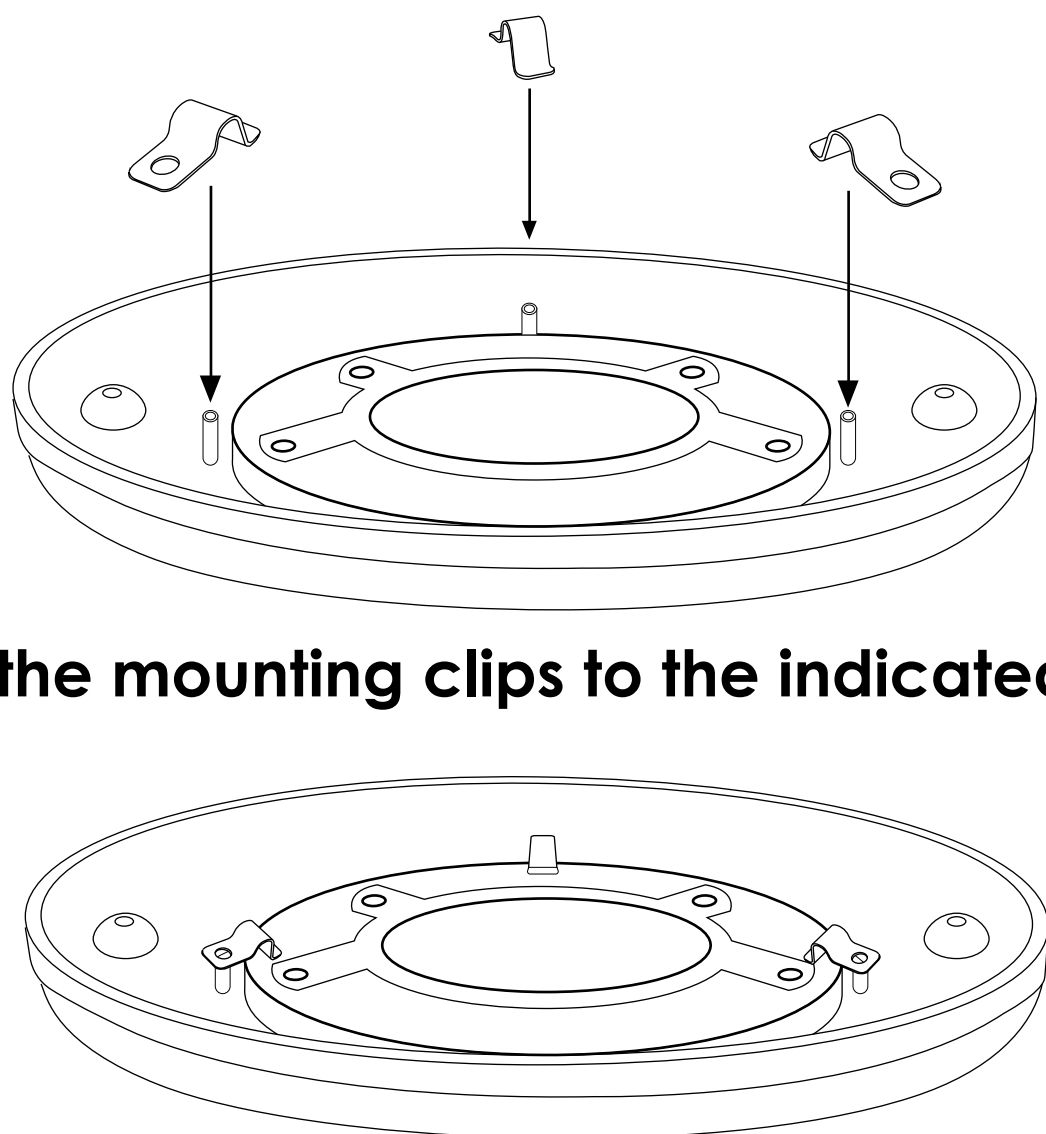
2

Position the rear face of the frame and support the focus until it stops.



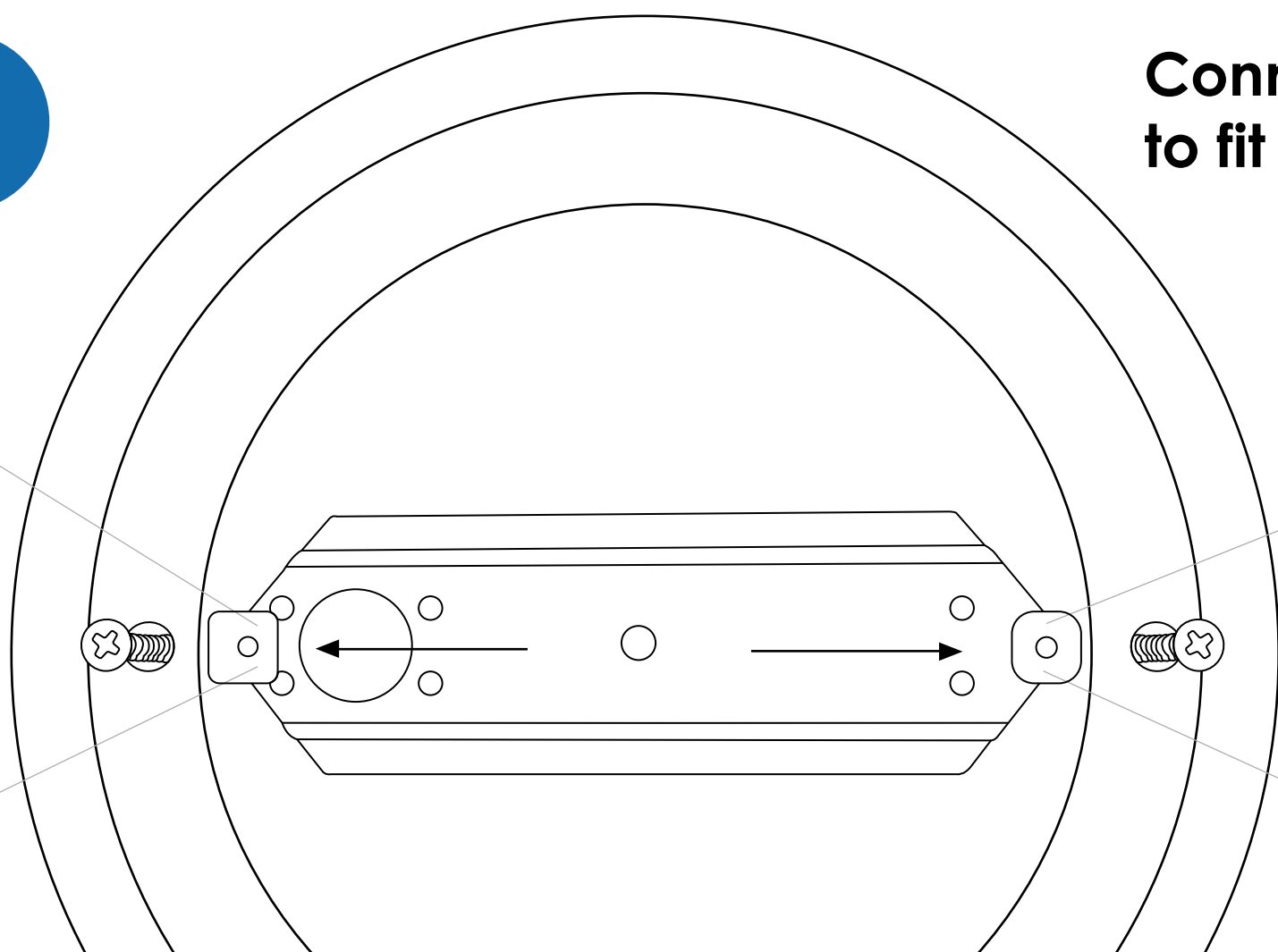
3

Screw the mounting clips to the indicated holes.



4

Connect the marked parts of the frame to fit the surface support.



5

Finally screw into the holes, up to its base.

