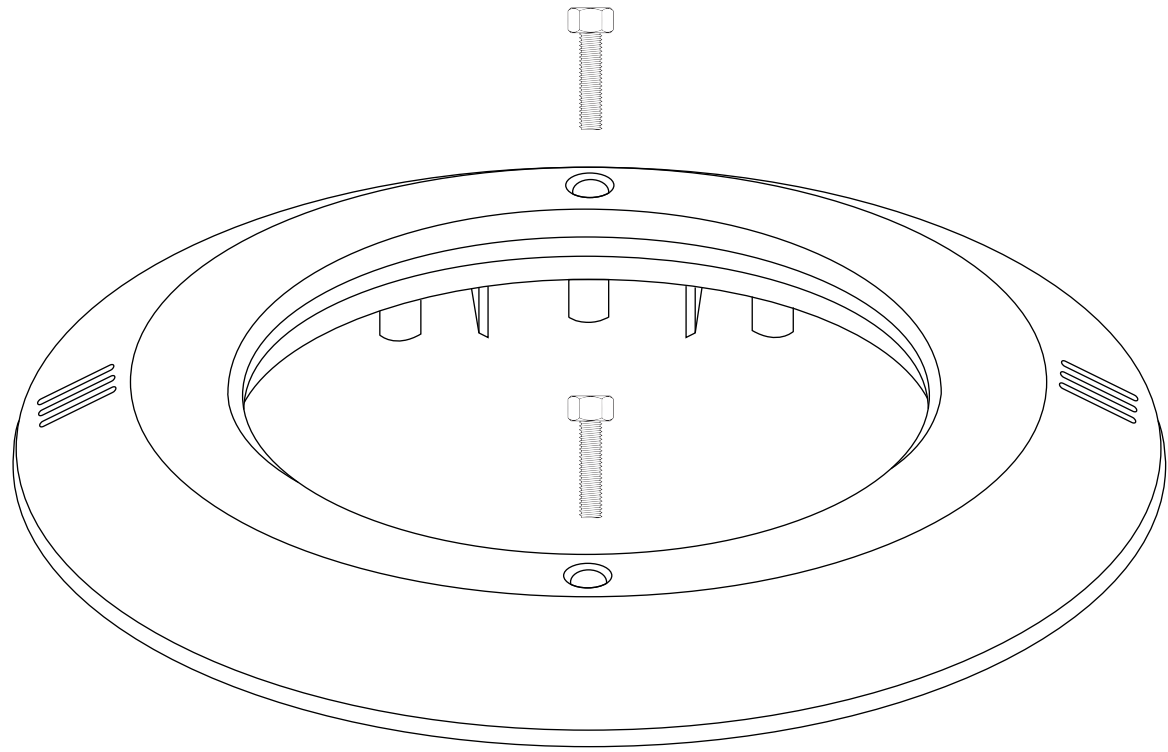


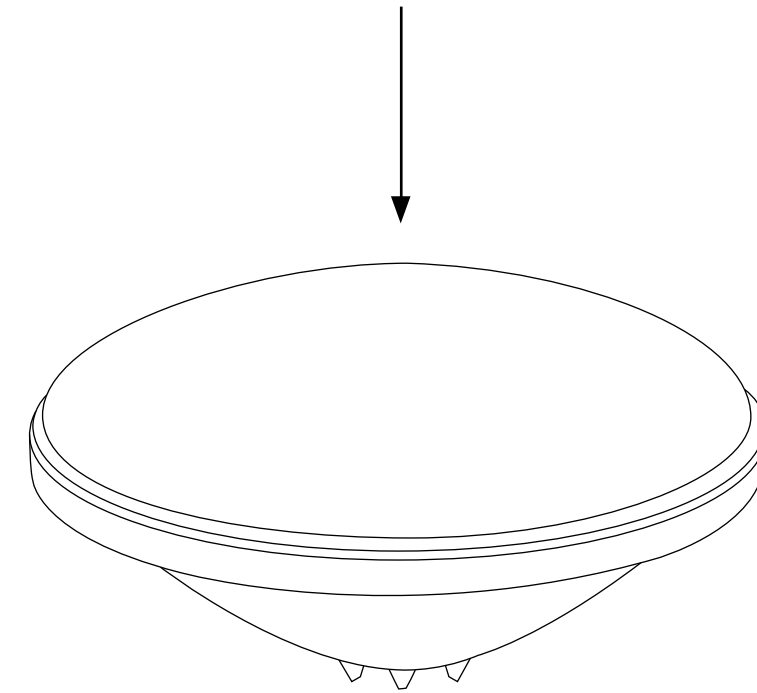
# Installation of pool lights

## Plastic Embedded Pool Light

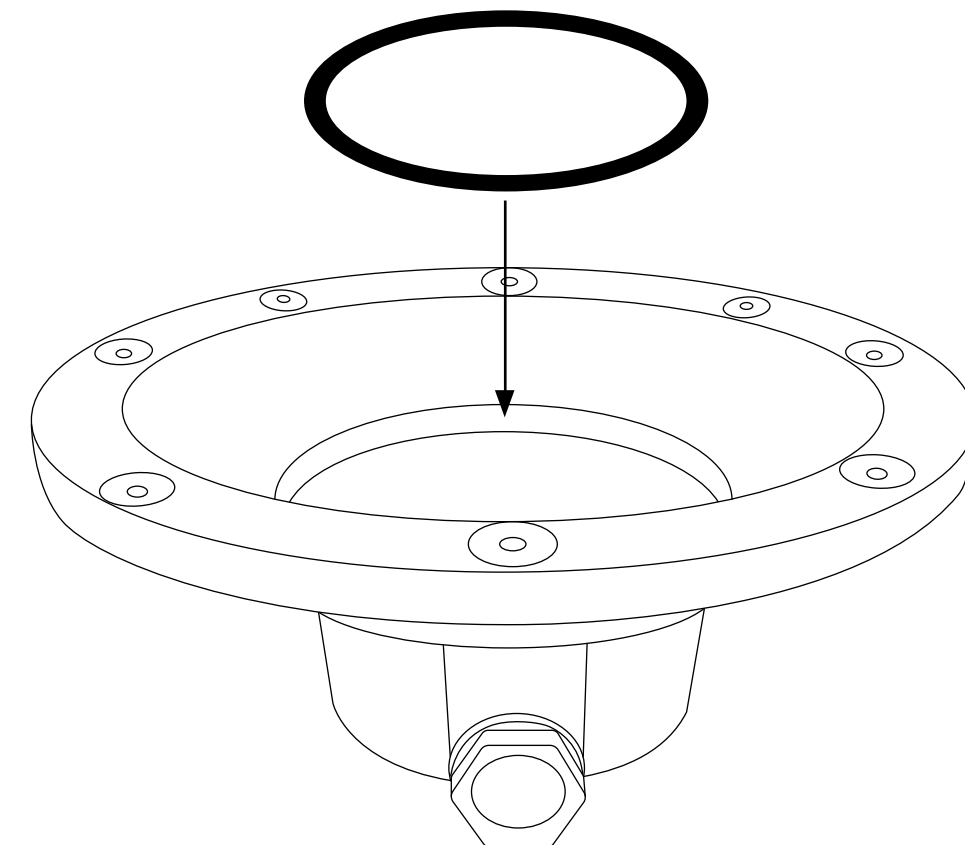
**1** Reserve the main cover of the assembly until the end.



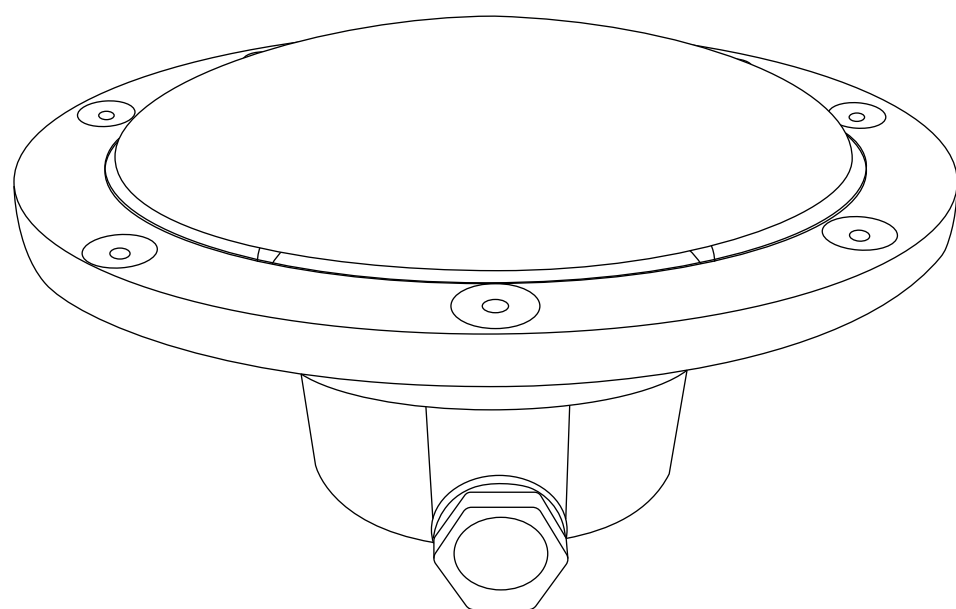
**2** Place the specially designed Par56 LED Bulb to fit into the installation hole of the niche.



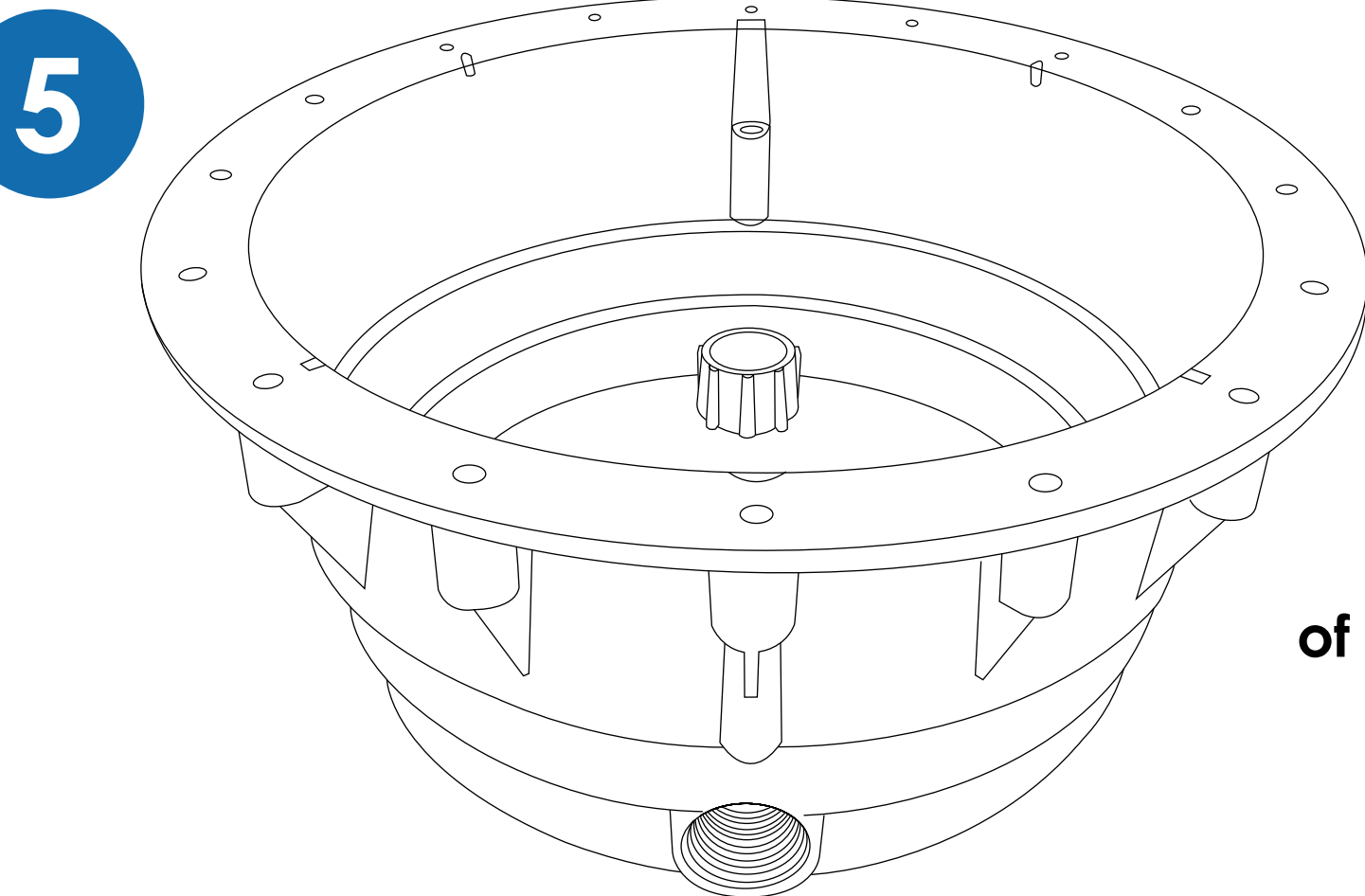
**3** Position the bulb's protective rubber on the installation base to immobilize the bulb.



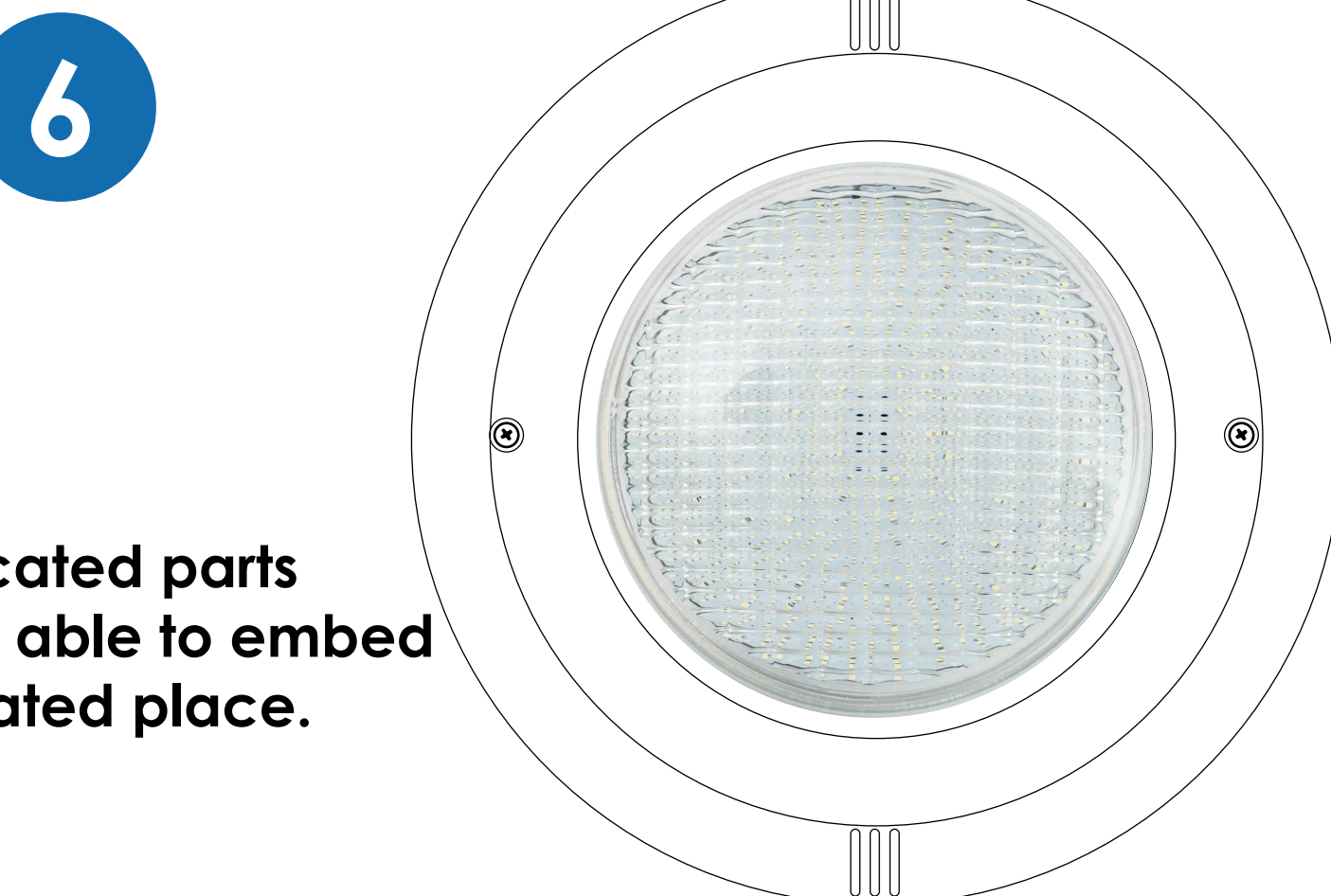
**4** Support the base in the container.



And manages the installation of cables through the articulated connections.



Screw the fixing clips into the indicated holes.



Join the indicated parts of the niche to be able to embed in the designated place.

**6** Finally, screw the cover through the 2 holes down to its base.